

auto electrical parts

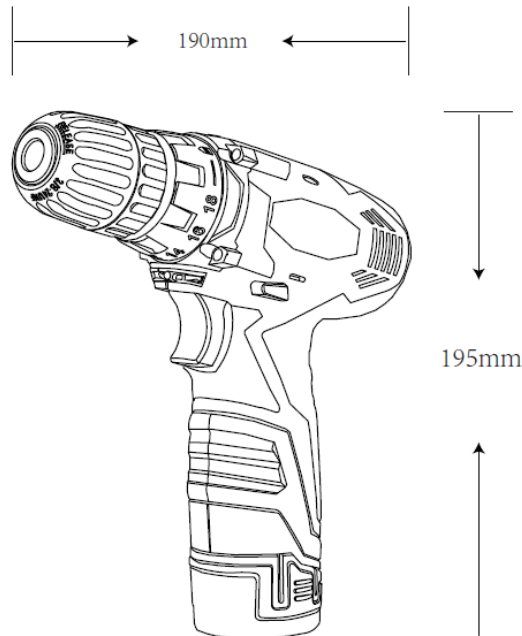
Technical Information Sheet

Part No. 0-467-60

Cordless 12.0V 10mm Drill with 2.0Ah Lithium Ion Battery. No Load Speed 0-350min-1/0-1250min-1. Torque Adjust 18+1. MaxTorque 25Nm. Chuck Capacity 0.8-10mm. Supplied in a BMC with a spare battery, UK & Euro 230V Charger.



Technical Drawing (not to scale)



Specification

Motor Voltage	12.0V DC
Motor Type	#550
Chuck Capacity	0.8 ~ 10mm - Key less 3 Jaw
Weight (Inc Bat)	0.95KG
Weight (Ex Bat)	0.75KG
No Load Speed	0-350 Min-1 / 0-1250 Min-1
Max Capacity (Steel / Wood)	10mm
Max Torque	25Nm / 18 Positions + Drill Mode
Vibration	0,751 m/s2 K=1,5 m/s2
Battery Type	Lithium Ion
Battery	12.0V 2.0Ah
Battery Weight	0.2KG
Charging Time	1 Hour
Approval	CE, RoHS

The information contained in this document is correct to the best of our knowledge at the time of printing. However, specifications may change at any time without notice.